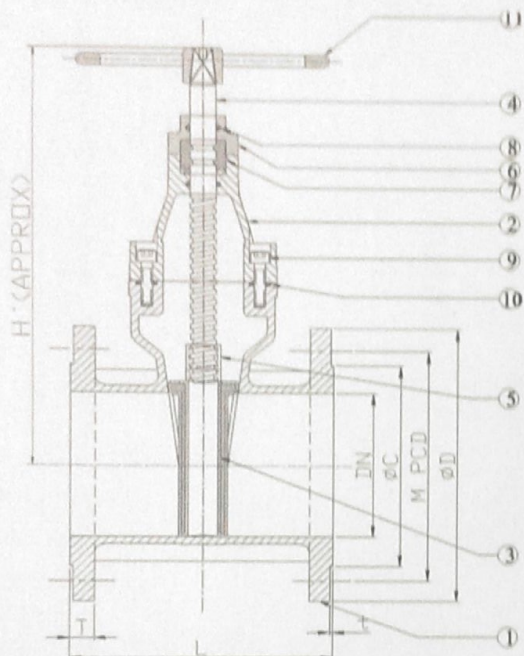


RESILIENT SEATED GATE VALVE

RESILIENT SEATED, FRICTION LESS EXCELLENT ABRASION AND CORROSION PROTECTED GATE VALVE. RUBBER ENCAPSULATED WEDGE ENSURE ABSOLUTE SHUT OFF IN BOTH DIRECTION WITH LOW OPERATIONAL TORQUE. THE POCKET LESS PASSAGE ALSO ENSURE THAT NO SEDIMENT OR DEBRIS REMAINS INSIDE THE NOMINAL BORE OF THE VALVE.



BILL OF MATERIAL		
SL NO	DESCRIPTION	MATERIAL
1	BODY	SG IS:1865 GR 500/7
2	BONNET	SG IS:1865 GR 500/7
3	WEDGE + RUBBER	SG IS:1865 GR 500/7+ EPDM
4	SPINDLE	SS 410/SS 304
5	WEDGE NUT	IS:318 LTB-2
6	GLAND	SG IS:1865 GR 500/7
7	THRUST BUSH	IS:318 LTB-2
8	SEAL O-RING	EPDM
9	BOLT	CARBON STEEL
10	GASKET	RUBBER
11	WHEEL	CI IS:210 FG220

SPECIFICATION:

- DESIGN AS PER BS:5163
- FACE TO FACE AS PER IS:14846
- FLANGE DRILLING AS PER IS:1538 1993
(ANSI B16.5 CLASS150/BS TABLE 10D)
- PRESSURE RATING : PN10/PN16/PN25
- BODY & BONNET EPOXY POWDER COATED

DIMENSION									
DN	L	H	C	M	D	T	t	n-Ød	
50	178	250	102	125	165	16	3	4-19	
65	190	260	122	145	180	16	3	4-19	
80	203	290	133	160	200	17	3	4-19	
100	229	335	153	180	220	18	3	8-19	
125	254	375	183	210	250	19	3	8-19	
150	267	410	209	240	285	20	3	8 32	
200	292	528	264	295	340	21	3	8-23	
250	330	607	319	350	395	22	3	12-23	
300	356	680	367	400	445	24	4	12-23	
350	381	840	427	460	505	26	4	16-23	
400	406	950	477	515	565	27	4	16-28	

RESILIENT SEATED GATE VALVE


VALVES